

Datasheet: CO2 Sensor High Concentration Compact Design
(Art No.: SEN CO2 HC K100) (2%,5%,10%,20%)

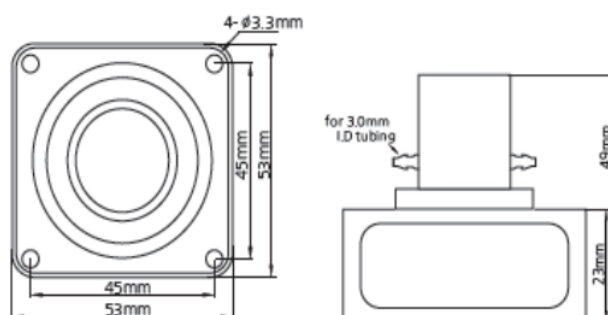
This CO2 sensor is particularly suitable for measuring high CO2 concentrations of up to 20% (equivalent to 200,000ppm). The sensor has long-term stability and is suitable for various industrial applications.



Technical data		SEN CO2 HC K 100
Accuracy	Model	Diffusion aspirated Modul
	Measuring area	2%;5%;10%;20%
	measurement accuracy	± 3% FS + 2% reading value
	Response behaviour	<65 Sec.
	Measuring interval	1,5 Sec.
General	Warm-up time	<3 Min.
	Environmental temperature	-40 - +70°C
	Temperature depende	0,2% FS/°C
Operating characteristics	Operating temperature	5-45°C
	Perm. Rel. Humidity	0-95% Non-condensing
	Maximum air speed	0,2-1m/s
Electricity	Power supply	8-15 VDC
	Power consumption	70 mA average
Output	Analogue-output	0-4 VDC
	Communication	RS485
Anschluss	Via plug connection	

Dimensions

terminals



Nr.	Terminal	Typ 1
1		V +
2		V - (GND)
3		Out 1
4		NC
5		RS 485 a
6		RS 485 b